

# GlideRol·a·Door®

## Gliderol Continuous Sheet Curtain Roller Door



### Uncompromised in design and style

In terms of technical excellence and superior design the GlideRol·a·Door® is unsurpassed in the building industry. The GlideRol·a·Door® undoubtedly adds style and character to any home, the Roller Door can be made to suit most garage openings enhancing the overall appeal of any structure.

### Forefront in technology world wide

Gliderol Garage Doors is a wholly owned Australian manufacturing company, with over fifteen international licensees world wide. The GlideRol·a·Door® through years of research and development has evolved into a product demanding world wide attention. Computer assisted technology has enabled Gliderol to develop its manufacturing processes to produce an award winning garage door that is cost effective, strong, durable and safe. The Gliderol philosophy - to provide quality and service in the highest possible way at all times to the customer.

### Quality and Safety that can be relied on

The GlideRol·a·Door® gives you strength and safety as priorities at all times. The strength gained from the unique broadline profile and aluminium bottom rail is unrivalled. As a home owner you must take into account the security of your home, with the GlideRol·a·Door® your security is guaranteed for many years to come. A GlideRol·a·Door® will always remain a very safe garage door for you to operate throughout its life-span. The unique spring assisted spindle assembly will provide you with a roller door that is always easy to open and close giving reliable performance at all times.

### Gliderol Garage Doors

A Division of Gliderol  
International Pty Ltd  
ABN 92 007 928 949

An Australian  
Manufacturing Company

32 Jacobsen Crescent  
Holden Hill SA 5088  
Adelaide, South Australia

Telephone +618 8261 9633  
Facsimile +618 8261 9700

Email [sales@gliderol.com.au](mailto:sales@gliderol.com.au)  
Website [www.gliderol.com.au](http://www.gliderol.com.au)

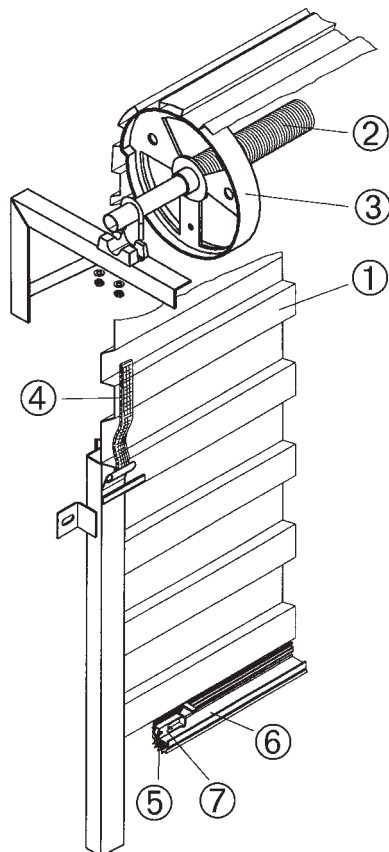
# GlideRol-a-Door®

## Gliderol Continuous Sheet Curtain Roller Door

### Features

**1. Roller Door Curtain** Gliderol rollformed steel sheet panels. Weather resistant and durable, these panels are able to withstand the harshest of Australian conditions. The curtain provides strength and quality in design to enhance overall appearance of the GlideRol-a-Door®.

**2. Spring Assistance** The GlideRol-a-Door® with its spring assisted mechanism offers precise balance enabling the user effortless operation. A fine balance between the weight of the curtain and the upward pull of the springs is maintained regardless of the position of your door.



Above:  
**Available in over 16 colours and up to widths of 5.5 metres.**

**3. Drum Wheel** Gliderol was the first to employ the use of engineering plastics in the manufacture of the drum wheel. This nylon drum wheel has been developed over time into a hardwearing high performance component.

**4. Polyglide™** Revolutionary new material developed by Gliderol Doors specifically for Roller Door operation. Allows effortless operation, with minimal noise and friction. Polyglide™ was tested for 22000 cycles continuous use, the equivalent of more than 20 years service based on three cycles a day.

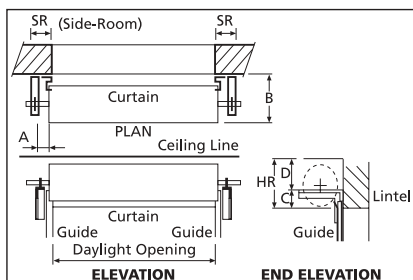
**5. Weatherseal** Durable weatherseal prevents any undesirable material entering your garage from the outside when the GlideRol-a-Door® is closed.

**6. Bottom Rail** Aluminium in construction this bottom rail has specifically been designed to reinforce your GlideRol-a-Door® against intruder penetration.

**7. Door Stop/Roller** Designed specially to reduce friction and assist in ease of operation when opening and closing your GlideRol-a-Door®.

**Centre Lift Lock** Unobtrusive in design this lock doubles as a handle, situated at waist height to give you optimum leverage when operating your GlideRol-a-Door®. This lock can easily be operated from inside or outside your Roller Door.

**Optional Windlocking** Secure your GlideRol-a-Door® against prevailing winds. Windlock Clips fixed to the Roller Door curtain secure the door in the guide and ensure strength and security at all times. (Cyclone rated. Certified AS1170-2).



DIMENSION PANEL (Minimum sizes) mm							
Series A (Hand Operated)	SR		HR	A	B	C	D
	Resid A	Resid AA					
2100 High	90	125	430	25-100	500	150	280
2400 High	90	125	450	25-100	540	160	290
2700 High	90	125	450	25-100	540	160	290
3000 High	90	125	470	25-100	560	170	300
STANDARD CURTAIN WIDTHS							
Residential Series A	950, 1250, 1550, 1850, 2450, 2490, 2515, 2650, 2750, 2800, 3050, 3100, 3430, 3710						
Residential Series AA	3760, 4370, 5000, 5100, 5500						
CURTAIN WIDTH							
Residential Series A	Daylight Opening Plus 50mm						
Residential Series AA	Daylight Opening Plus 100mm						



### Gliderol Guarantee

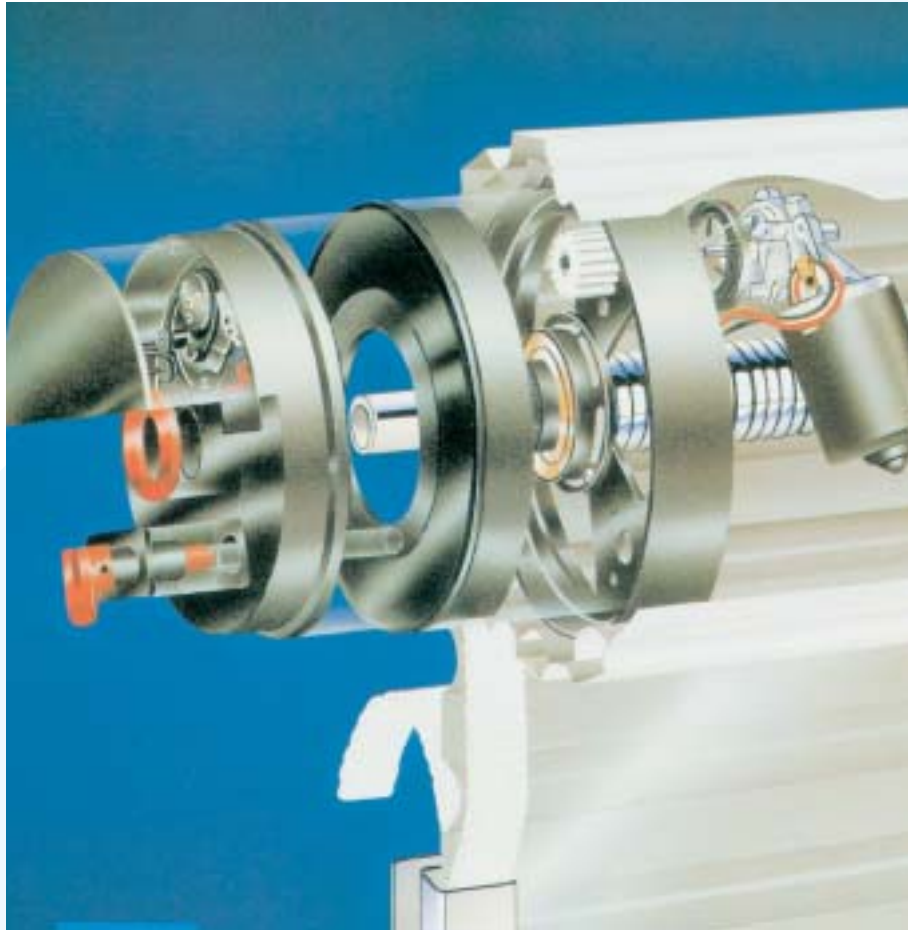
All new GlideRol-a-Door®, comes with the 12 month Gliderol guarantee on all finished materials, parts and workmanship. On the Steel Curtain you also receive the manufacturers warranty on all painted steel. Complete warranty details will be clearly outlined at point of sale.



A Division of Gliderol International Pty Ltd  
ABN 92 007 928 949  
An Australian Manufacturing Company

# Glidermatic GRD

## Remote Control Operator



### **Glidermatic GRD™ - Patented World Wide**

The Glidermatic GRD™ operator patented world wide by Gliderol Garage Doors is completely Australian in design. This quiet, smooth and reliable operator can be found in over fifteen countries world wide. Comprising the most up-to-the-minute technology the Glidermatic GRD™ operator is a must for any home.

### **Convenience, Safety and Security**

Home owners world wide are increasingly becoming aware that a Glidermatic GRD™ Roller Door operator is something that you cannot do without. This operator when installed on a Roller Door will provide you with convenience you can rely on at the press of a button with your Glide-a-Code® handset. Gone are the days of getting out of your car at night or in the rain, the Glidermatic GRD™ operator with its numerous safety and security features will see to this.

### **Value for Money**

The Glidermatic GRD™ includes everything to convert a Roller Door to automatic remote control. A powerful motor and drive unit with a manual or automatic operation selector, a Glide-a-Code® radio transmitter handset to operate your door from inside the car and a wall control mounted inside the garage containing a radio receiver, sophisticated electronics, an automatic light and a push button control for door operation inside the garage.

### **Remote Control New or Existing**

The Glidermatic GRD™ can be supplied as a complete automatic door or as a separate operator which converts existing manual Roller Doors to automatic remote control. Installation to an existing Roller Door is quick and easily done in a matter of minutes.

Manufactured by  
**Gliderol Garage Doors**

A Division of Gliderol  
International Pty Ltd  
ABN 92 007 928 949

An Australian  
Manufacturing Company

32 Jacobsen Crescent  
Holden Hill SA 5088  
Adelaide, South Australia

Telephone +618 8261 9633  
Facsimile +618 8261 9700

Email [sales@gliderol.com.au](mailto:sales@gliderol.com.au)  
Website [www.gliderol.com.au](http://www.gliderol.com.au)

